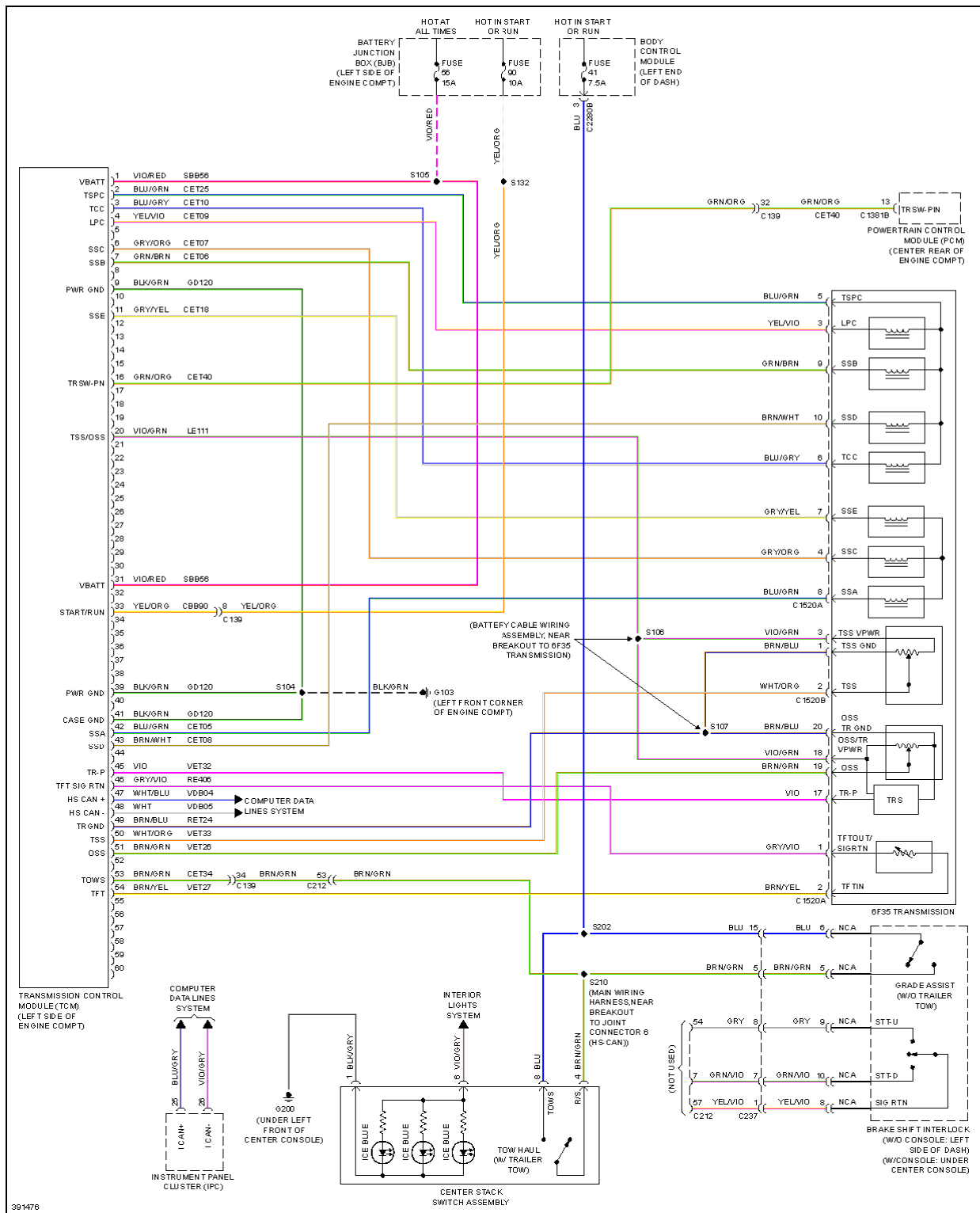


2013 Ford Explorer Limited

SYSTEM WIRING DIAGRAMS

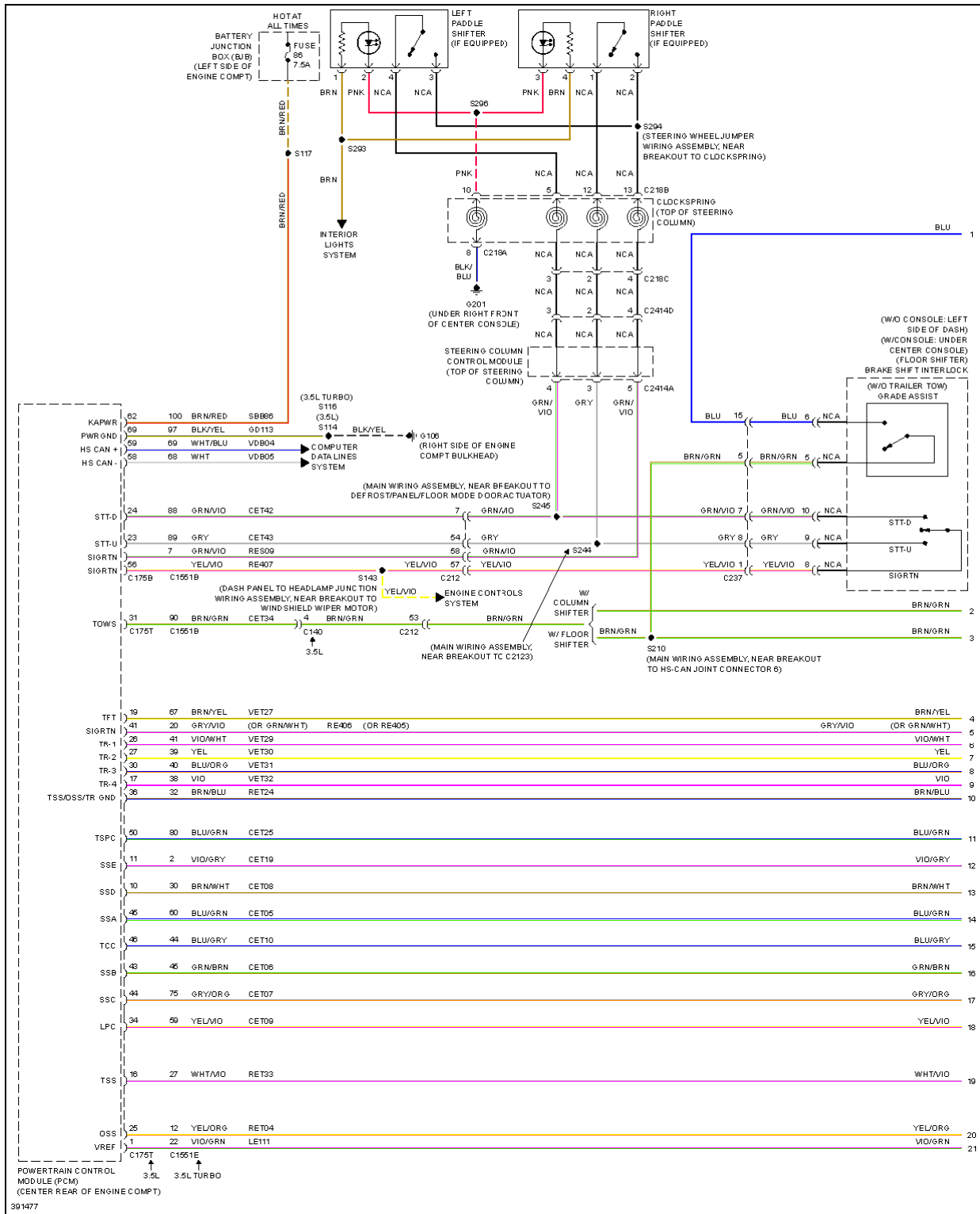
Fig. 120: 2.0L Turbo, A/T Circuit



2013 Ford Explorer Limited

SYSTEM WIRING DIAGRAMS

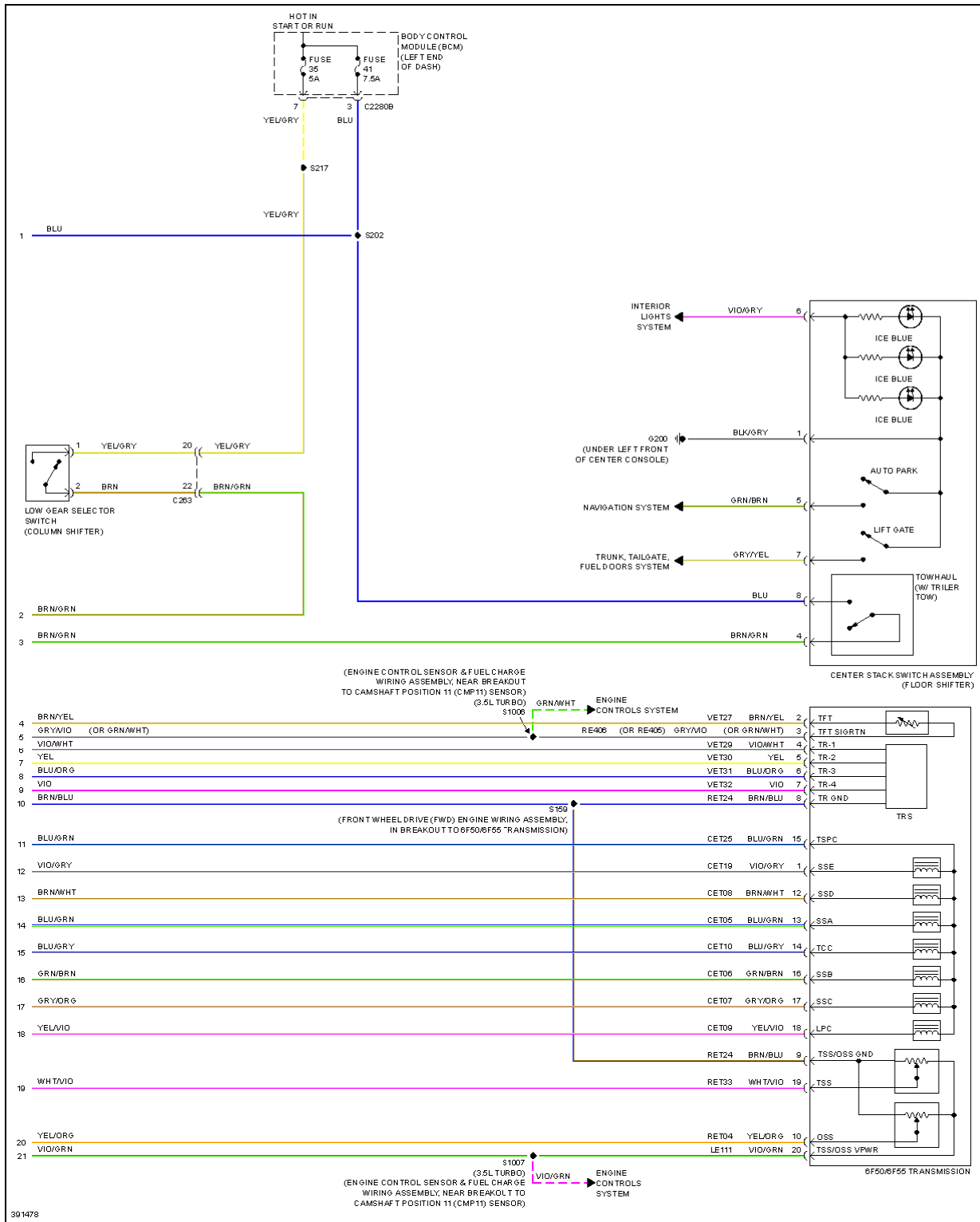
Fig. 121: 3.5L, A/T Circuit (1 of 2)



2013 Ford Explorer Limited

SYSTEM WIRING DIAGRAMS

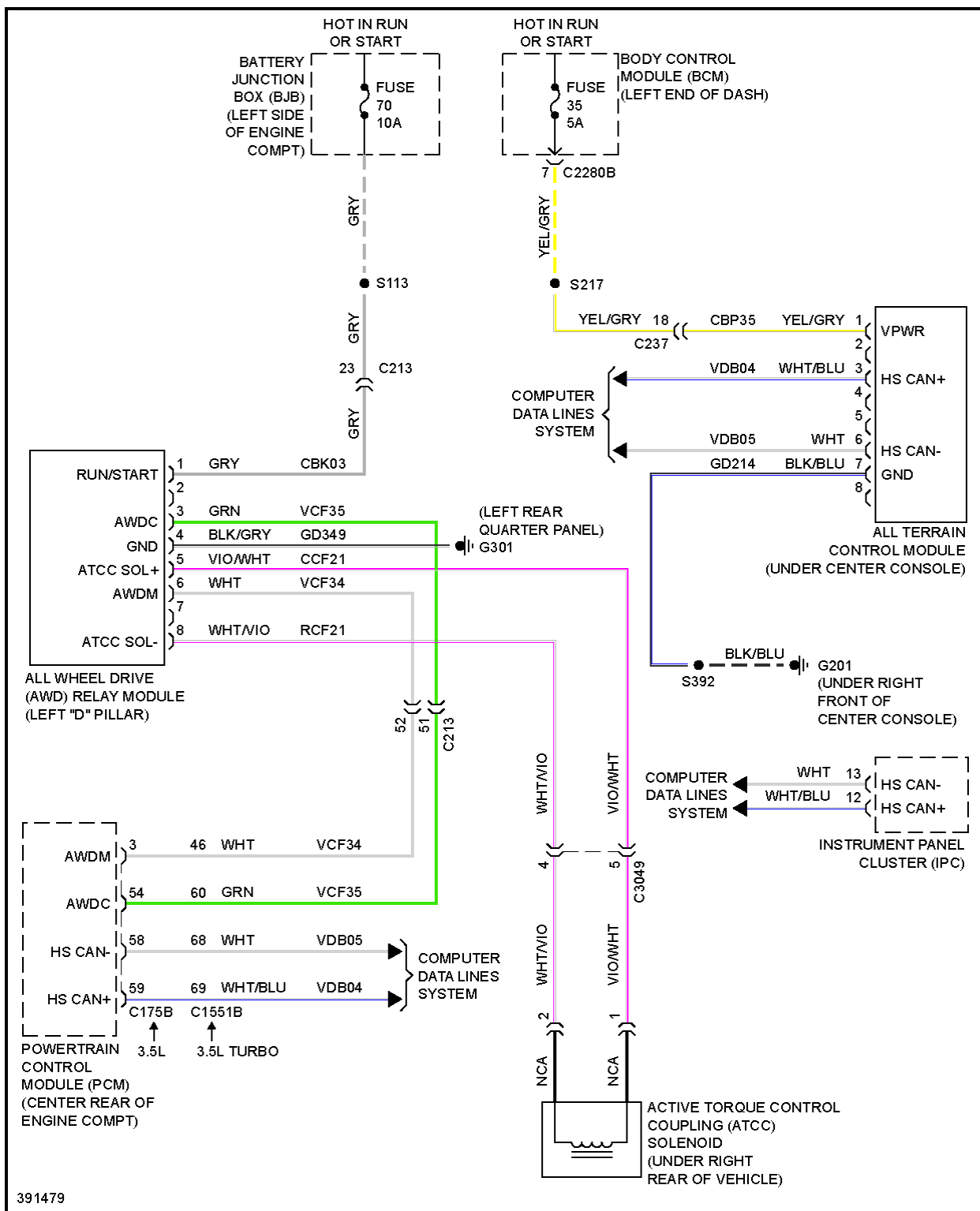
Fig. 122: 3.5L, A/T Circuit (2 of 2)



2013 Ford Explorer Limited

SYSTEM WIRING DIAGRAMS

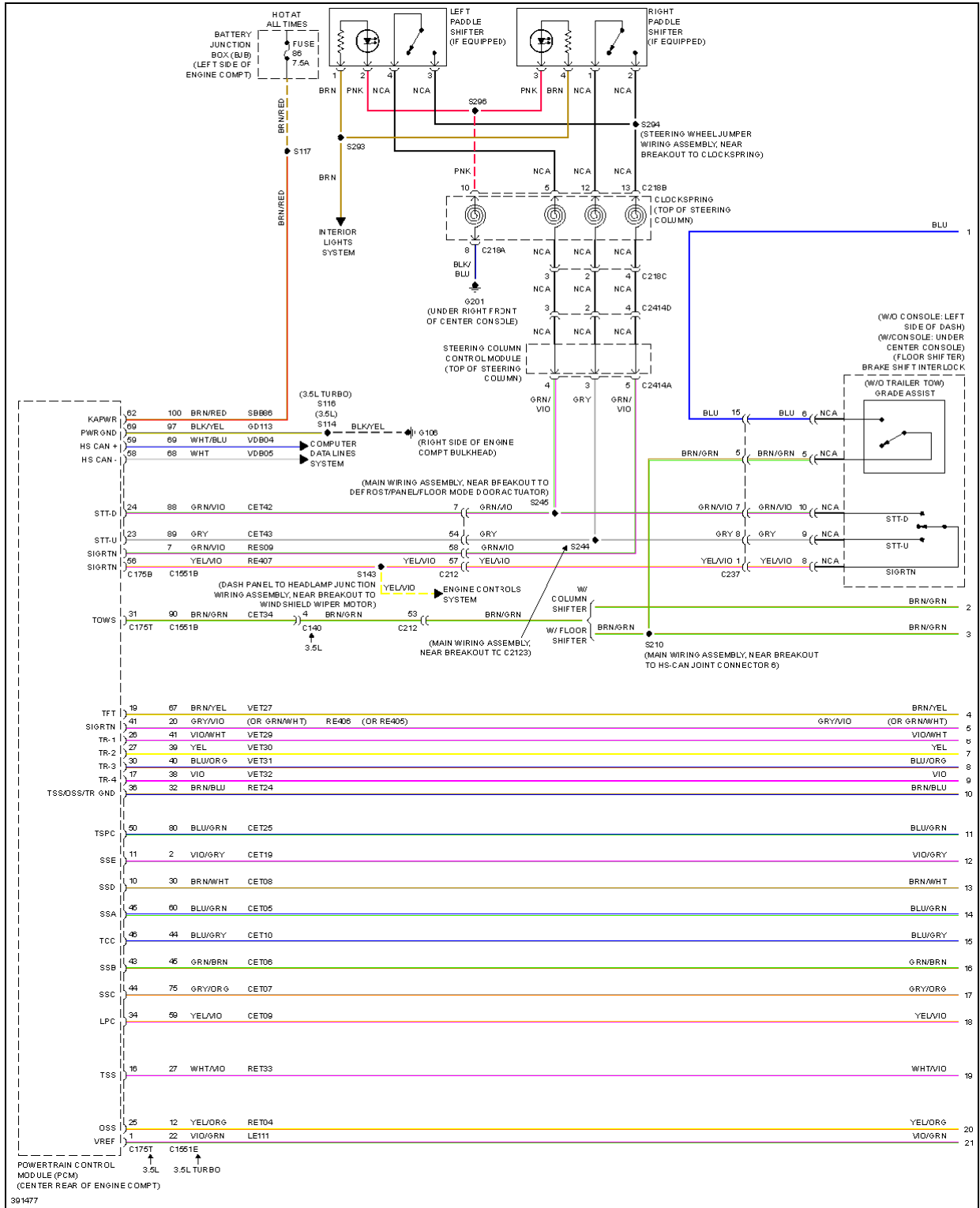
Fig. 123: 3.5L, AWD Circuit



2013 Ford Explorer Limited

SYSTEM WIRING DIAGRAMS

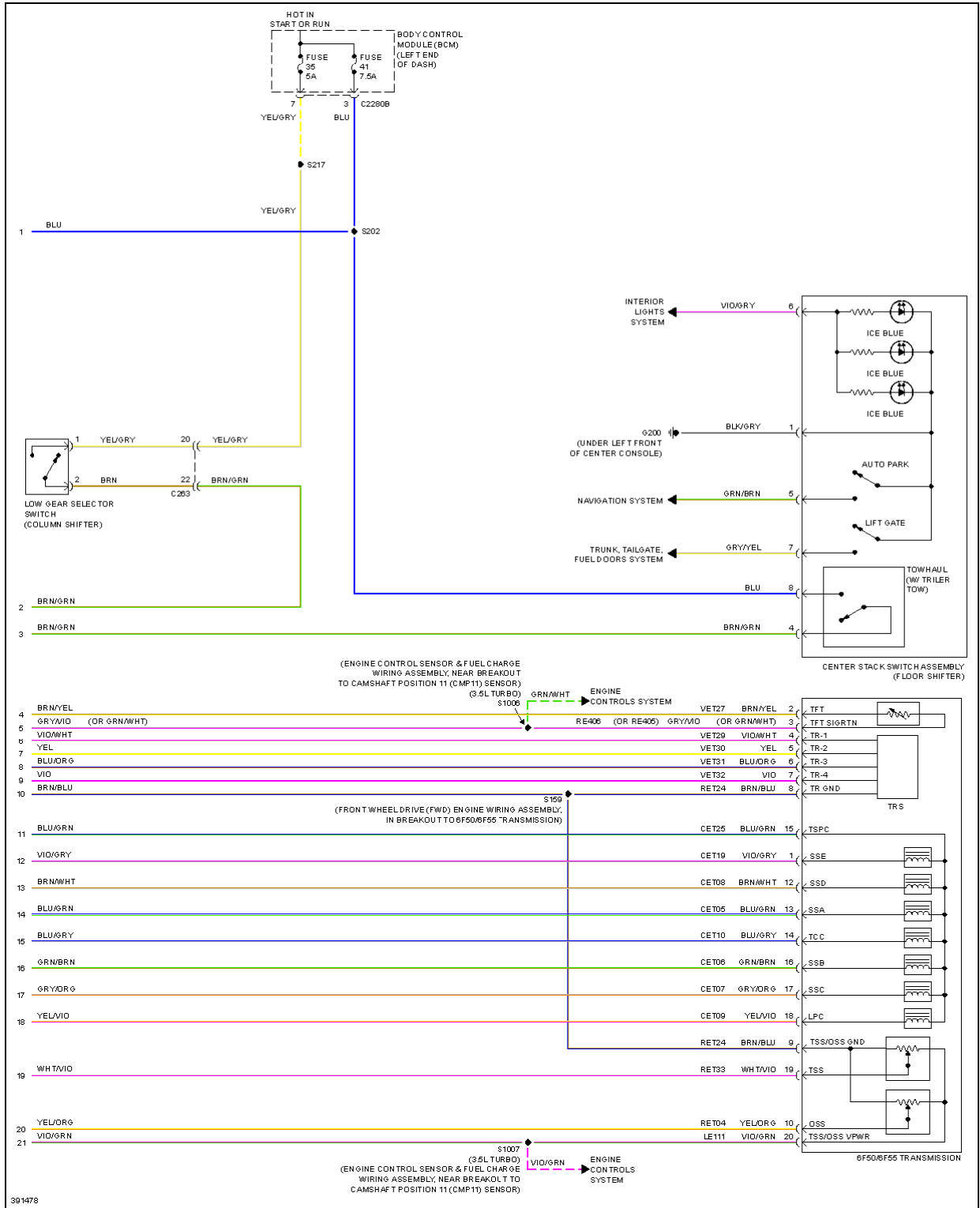
Fig. 124: 3.5L Twin Turbo, A/T Circuit (1 of 2)



2013 Ford Explorer Limited

SYSTEM WIRING DIAGRAMS

Fig. 125: 3.5L Twin Turbo, A/T Circuit (2 of 2)



2013 Ford Explorer Limited

SYSTEM WIRING DIAGRAMS

Fig. 126: 3.5L Twin Turbo, AWD Circuit

