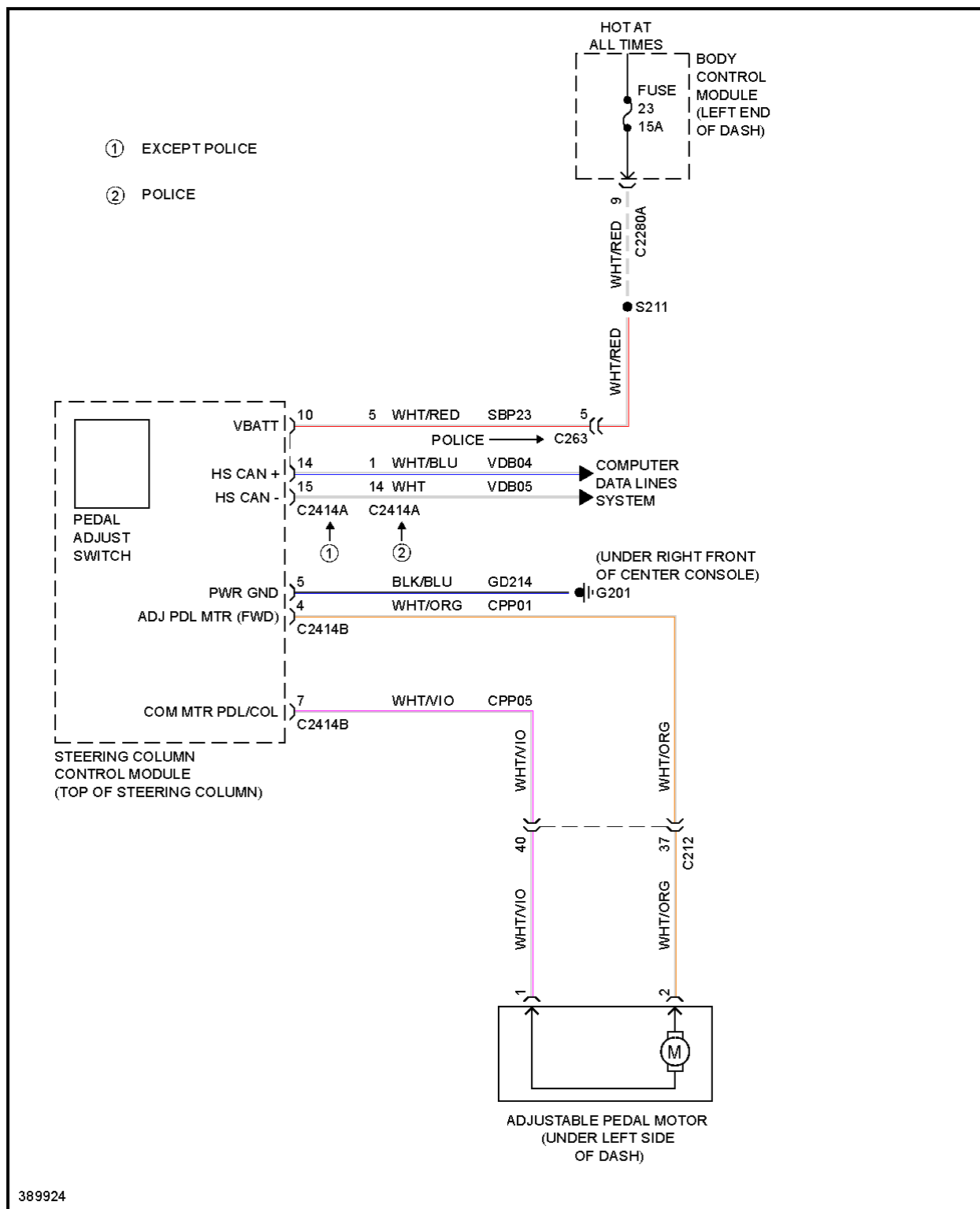


2013 Ford Explorer Limited

SYSTEM WIRING DIAGRAMS

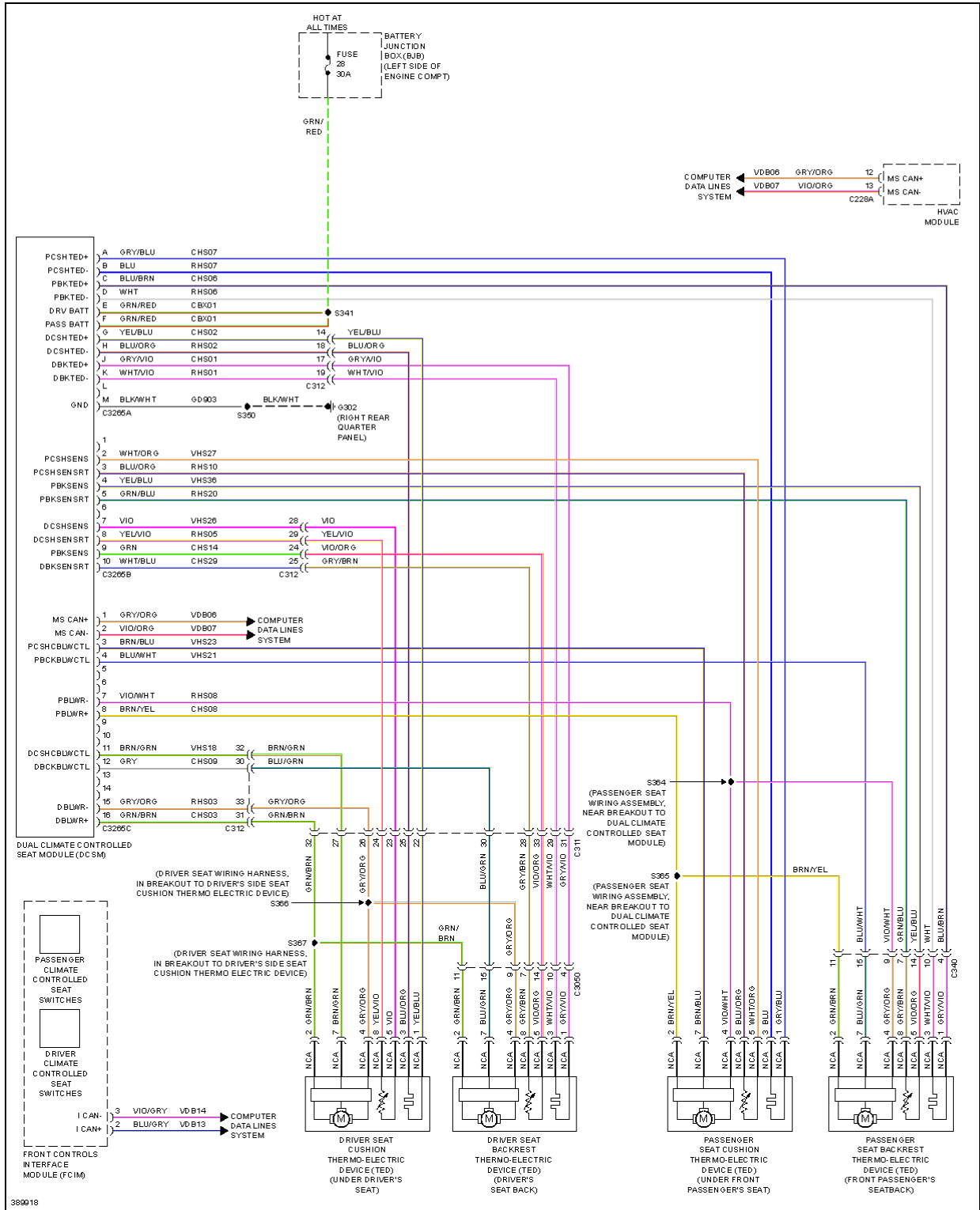
Fig. 89: Adjustable Pedal Circuit



2013 Ford Explorer Limited

SYSTEM WIRING DIAGRAMS

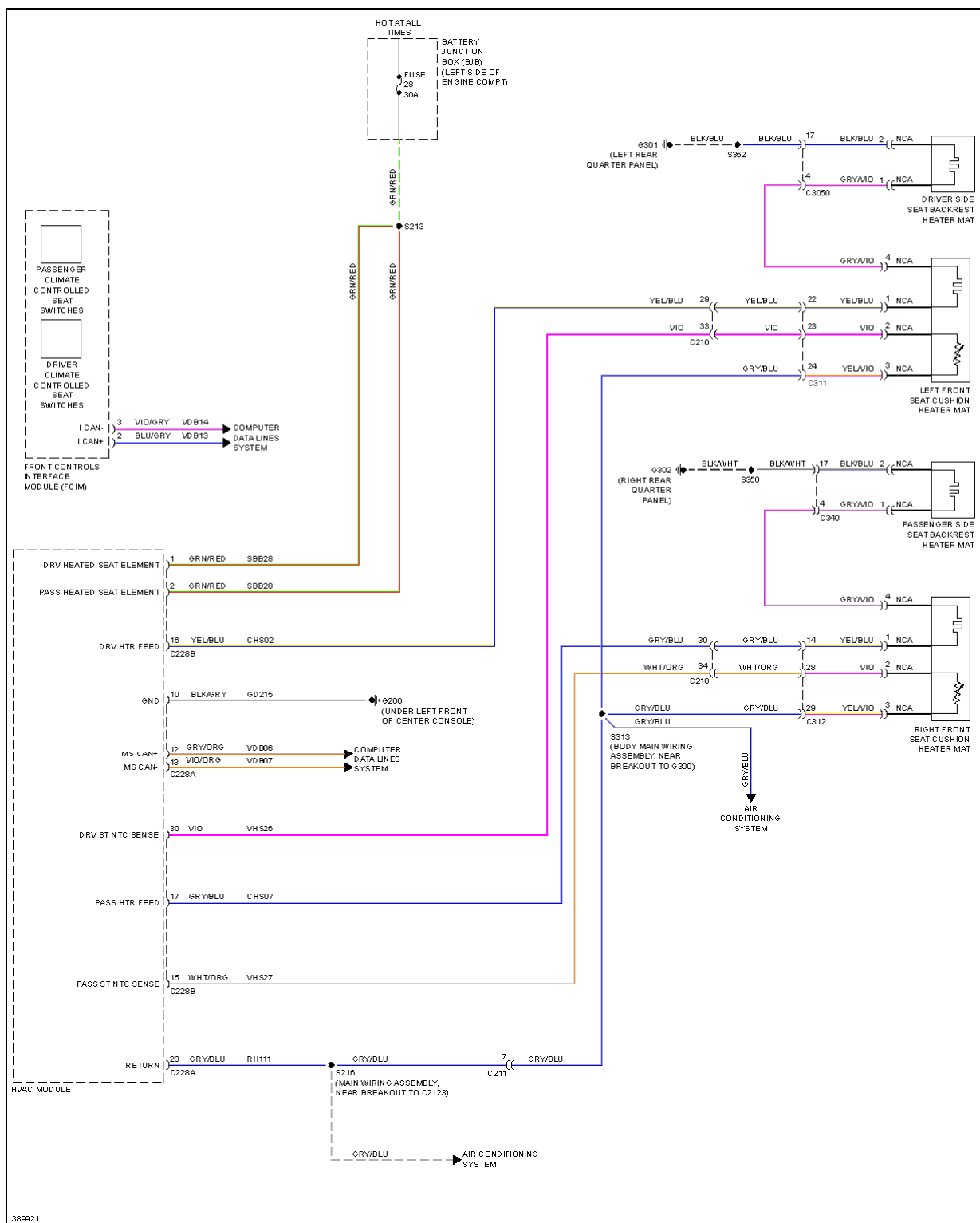
Fig. 90: Climate Control Seats Circuit



2013 Ford Explorer Limited

SYSTEM WIRING DIAGRAMS

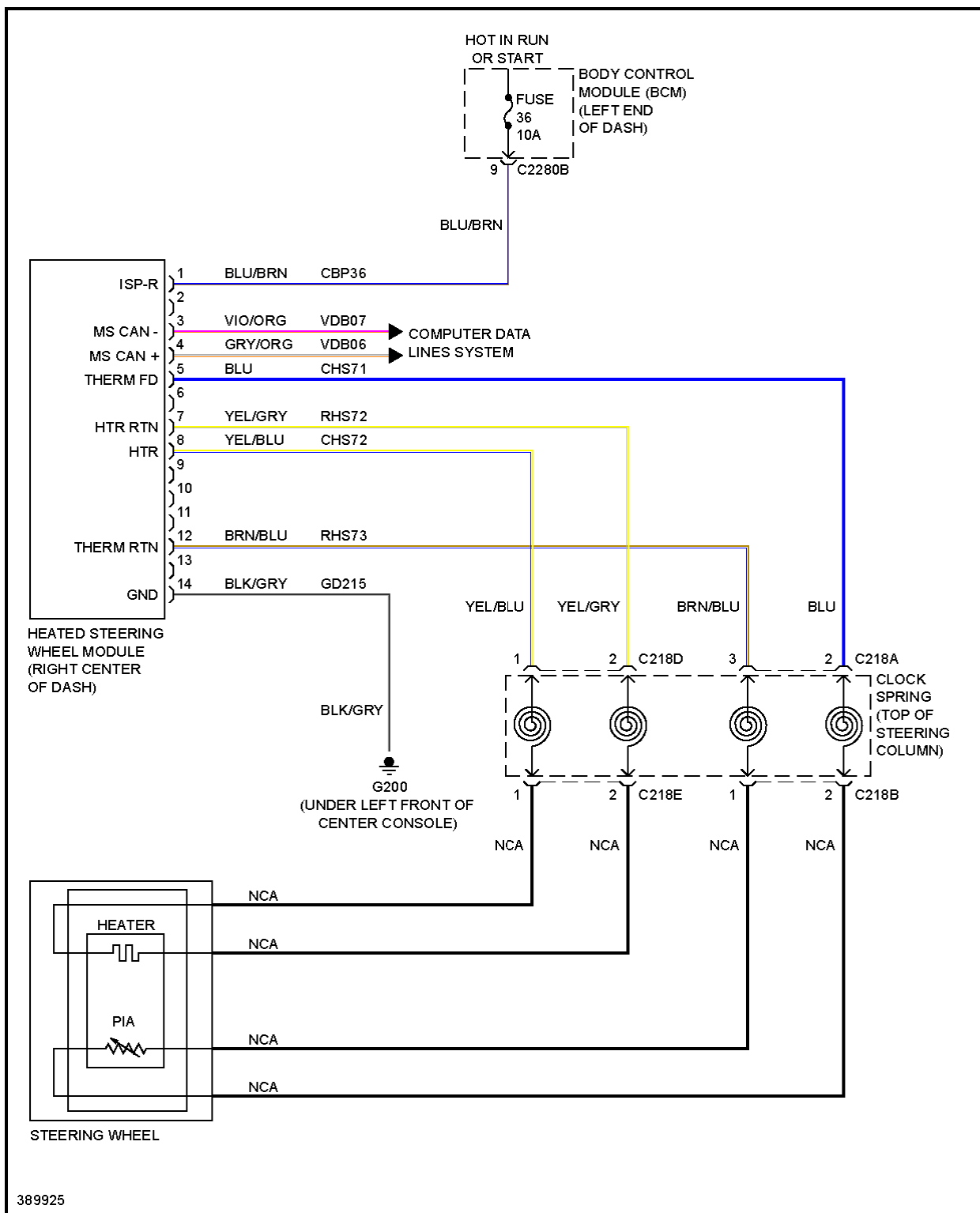
Fig. 91: Heated Seats Circuit



2013 Ford Explorer Limited

SYSTEM WIRING DIAGRAMS

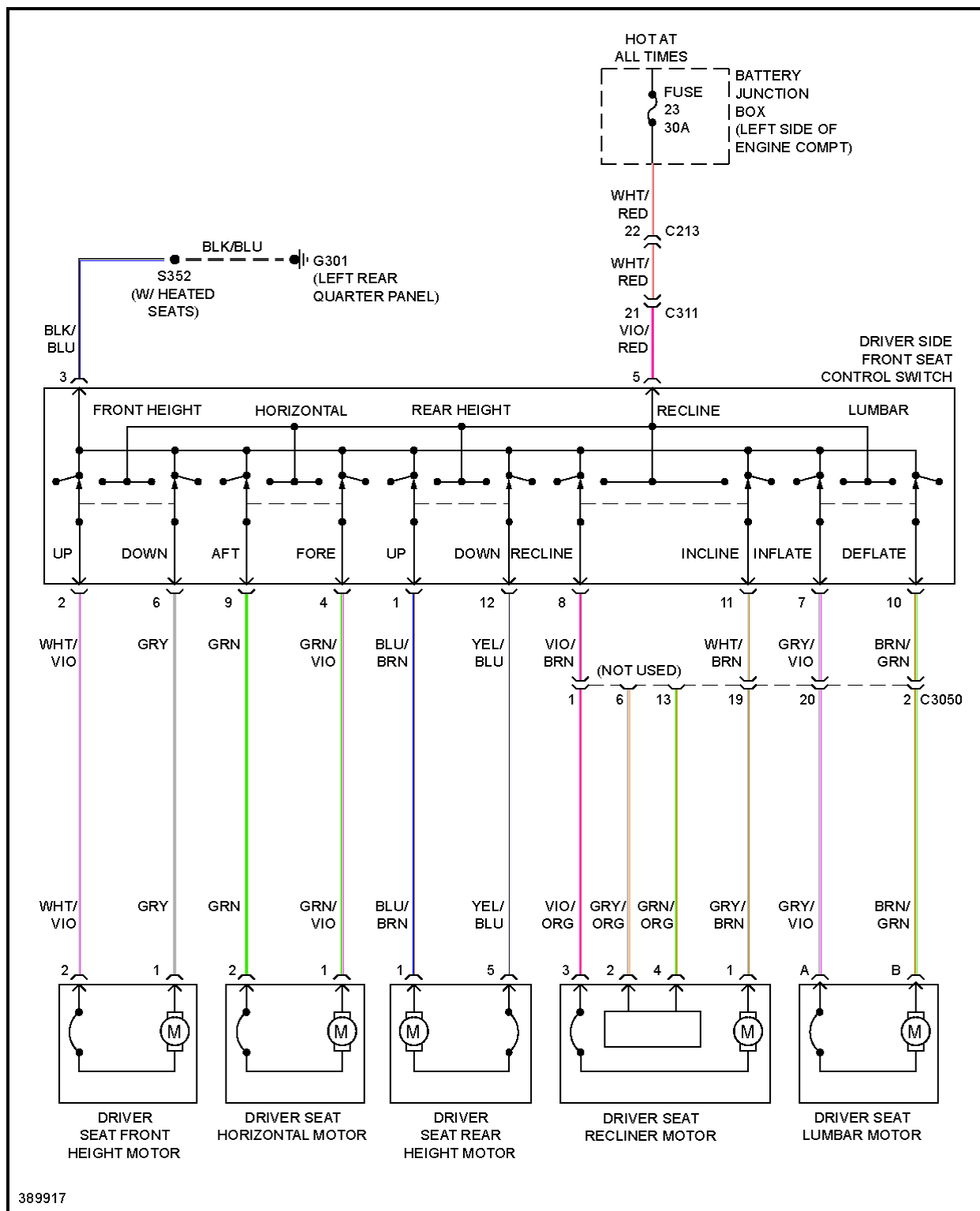
Fig. 92: Heated Steering Wheel Circuit



2013 Ford Explorer Limited

SYSTEM WIRING DIAGRAMS

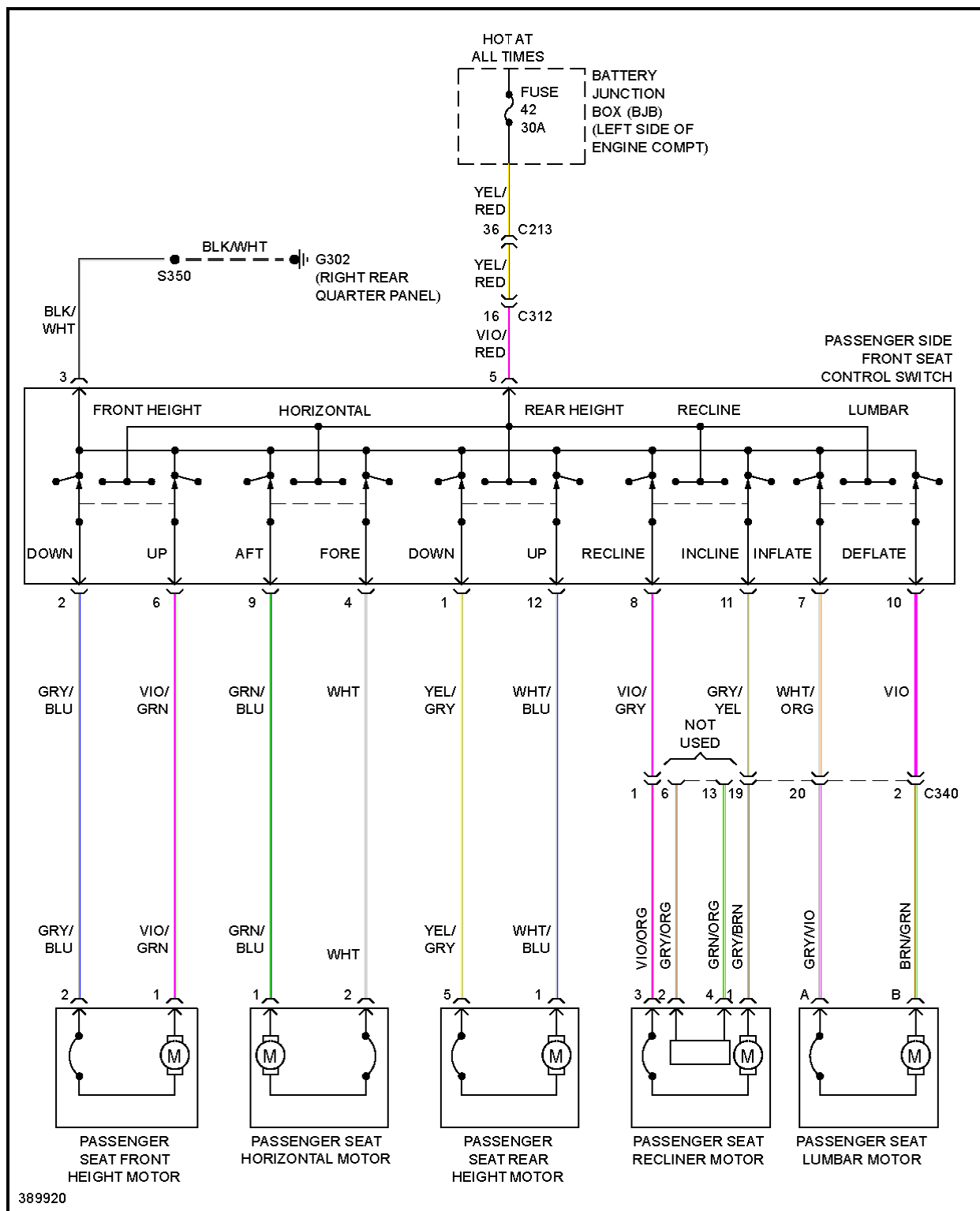
Fig. 93: Power Seats Circuit, 10-Way Driver Seat



2013 Ford Explorer Limited

SYSTEM WIRING DIAGRAMS

Fig. 94: Power Seats Circuit, 10-Way Passenger Seat



2013 Ford Explorer Limited

SYSTEM WIRING DIAGRAMS

Fig. 95: Power Seats Circuit, 6-Way Driver Seat

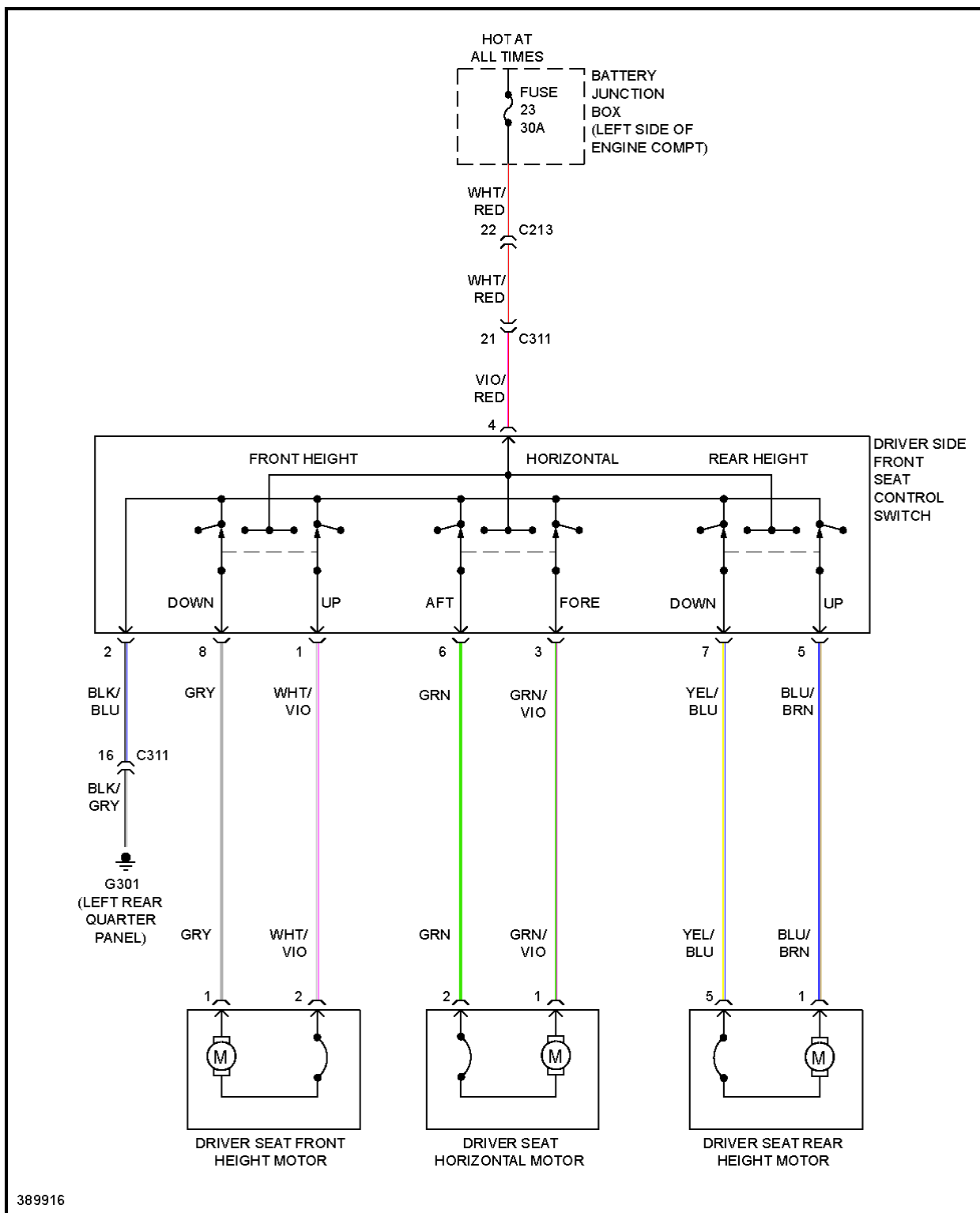
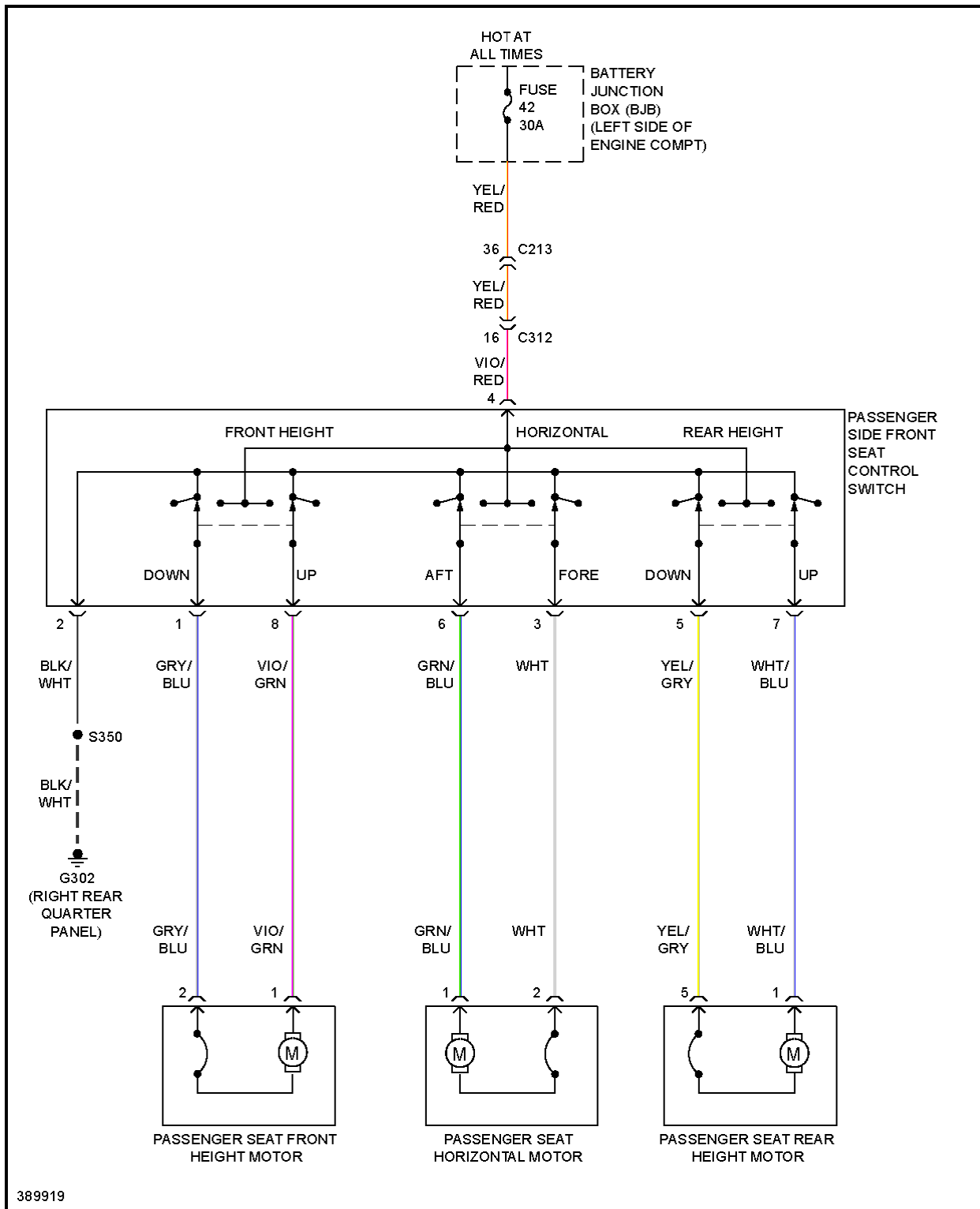


Fig. 96: Power Seats Circuit, 6-Way passenger Seat

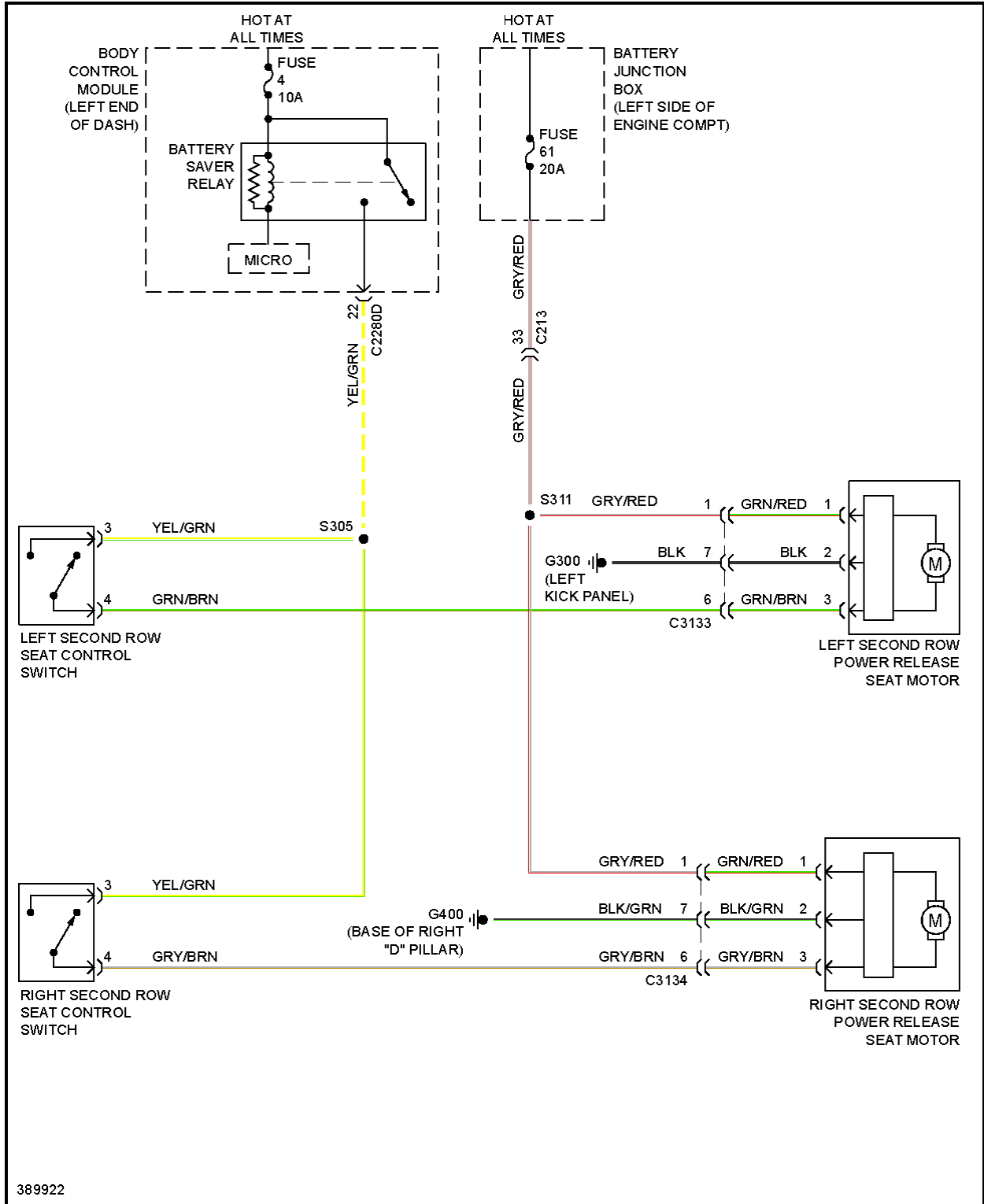


389919

2013 Ford Explorer Limited

SYSTEM WIRING DIAGRAMS

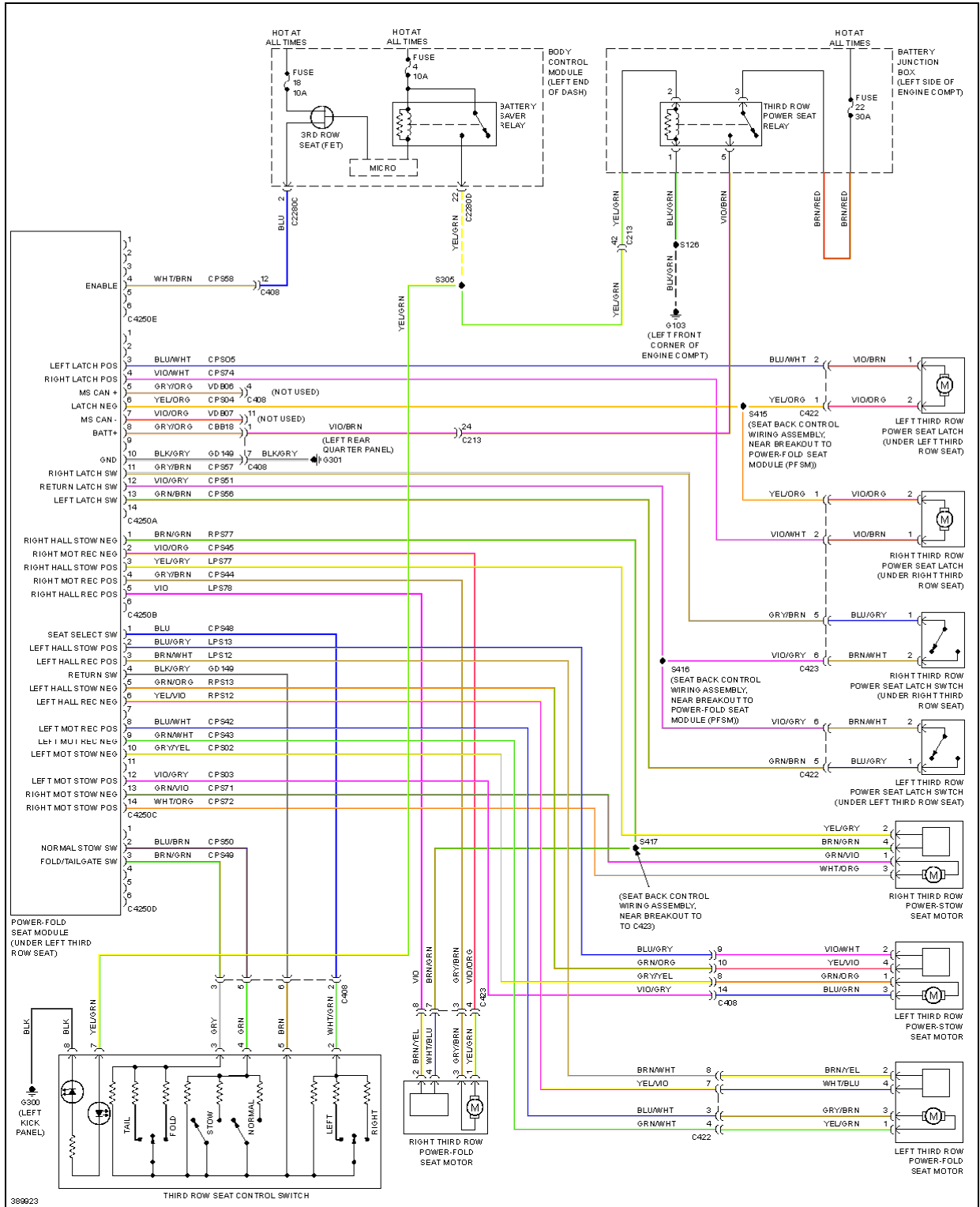
Fig. 97: Second Row Folding Seat Circuit



2013 Ford Explorer Limited

SYSTEM WIRING DIAGRAMS

Fig. 98: Third Row Folding Seat Circuit, Early Production



2013 Ford Explorer Limited

SYSTEM WIRING DIAGRAMS

Fig. 99: Third Row Folding Seat Circuit, Late Production

