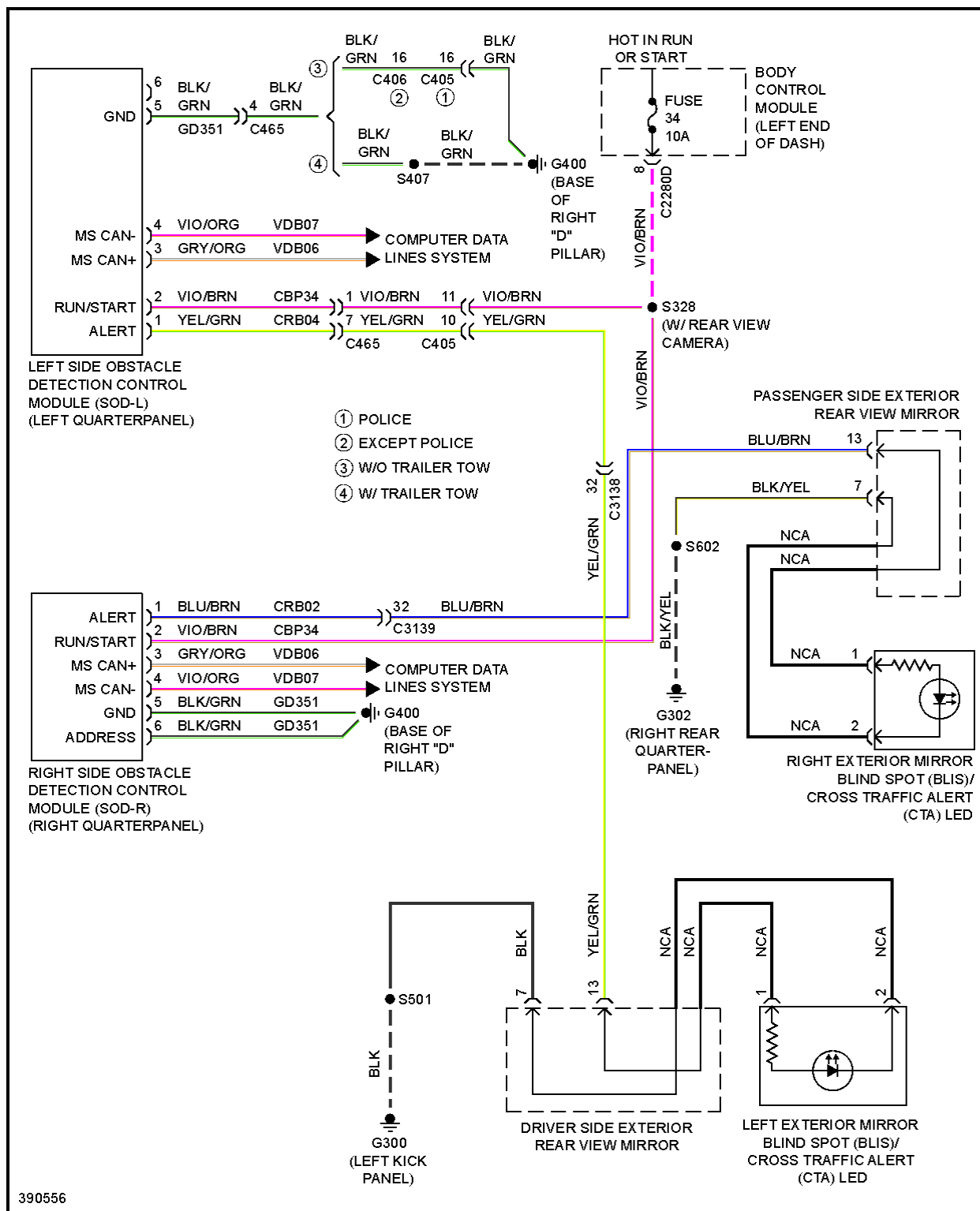


2013 Ford Explorer Limited

SYSTEM WIRING DIAGRAMS

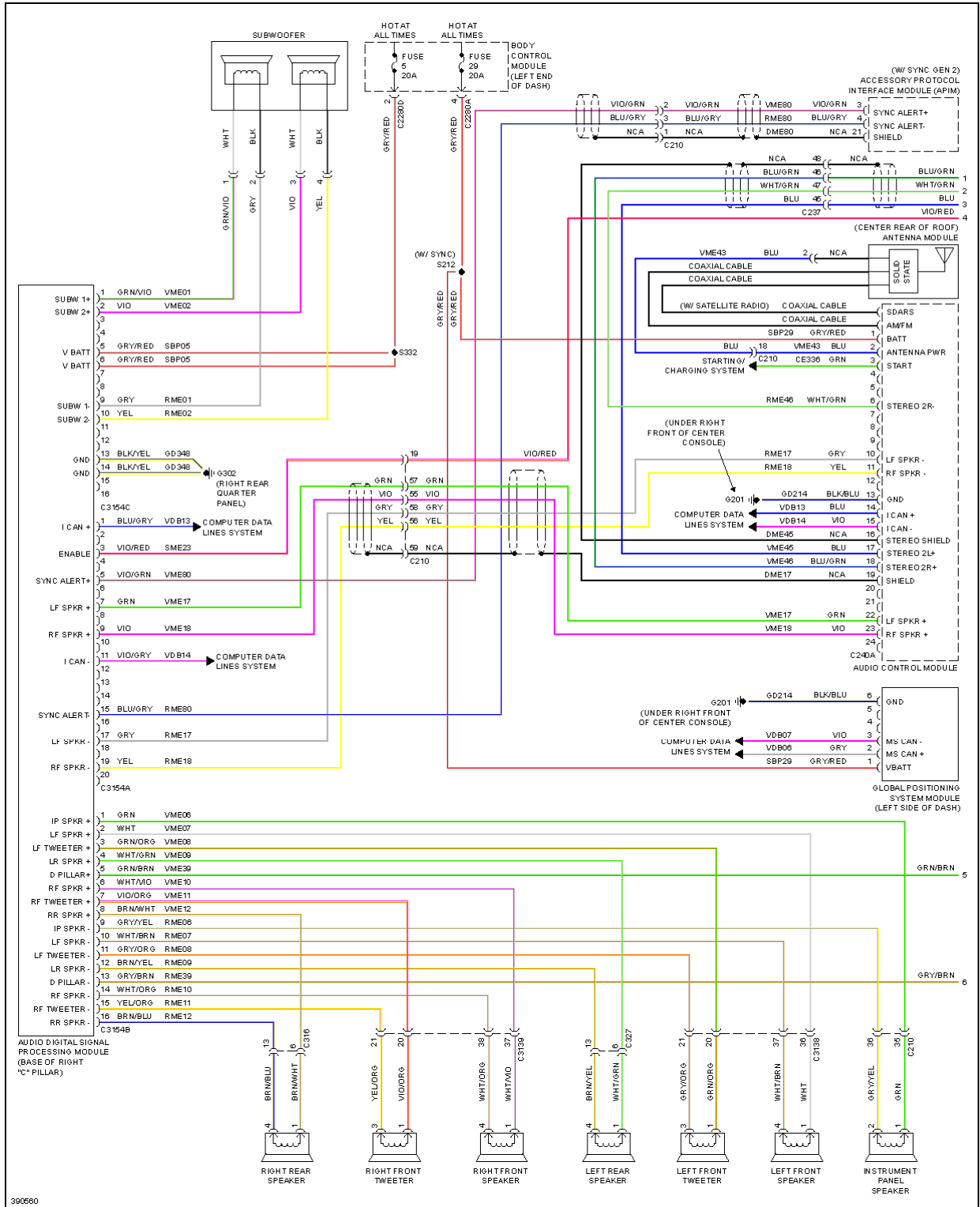
Fig. 70: Blind Spot Information System Circuit



2013 Ford Explorer Limited

SYSTEM WIRING DIAGRAMS

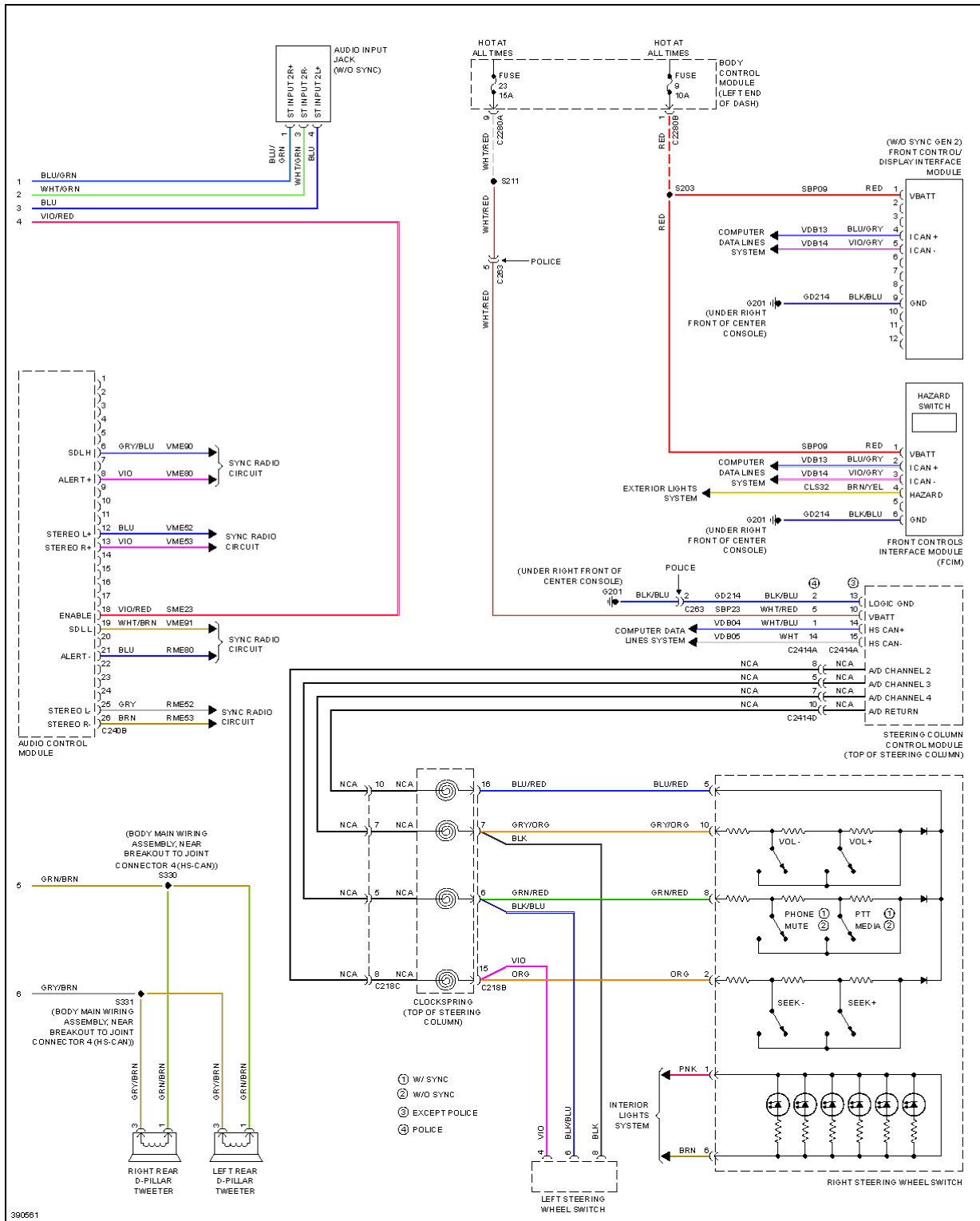
Fig. 71: Navigation Circuit, W/ Sony (1 of 2)



2013 Ford Explorer Limited

SYSTEM WIRING DIAGRAMS

Fig. 72: Navigation Circuit, W/ Sony (2 of 2)

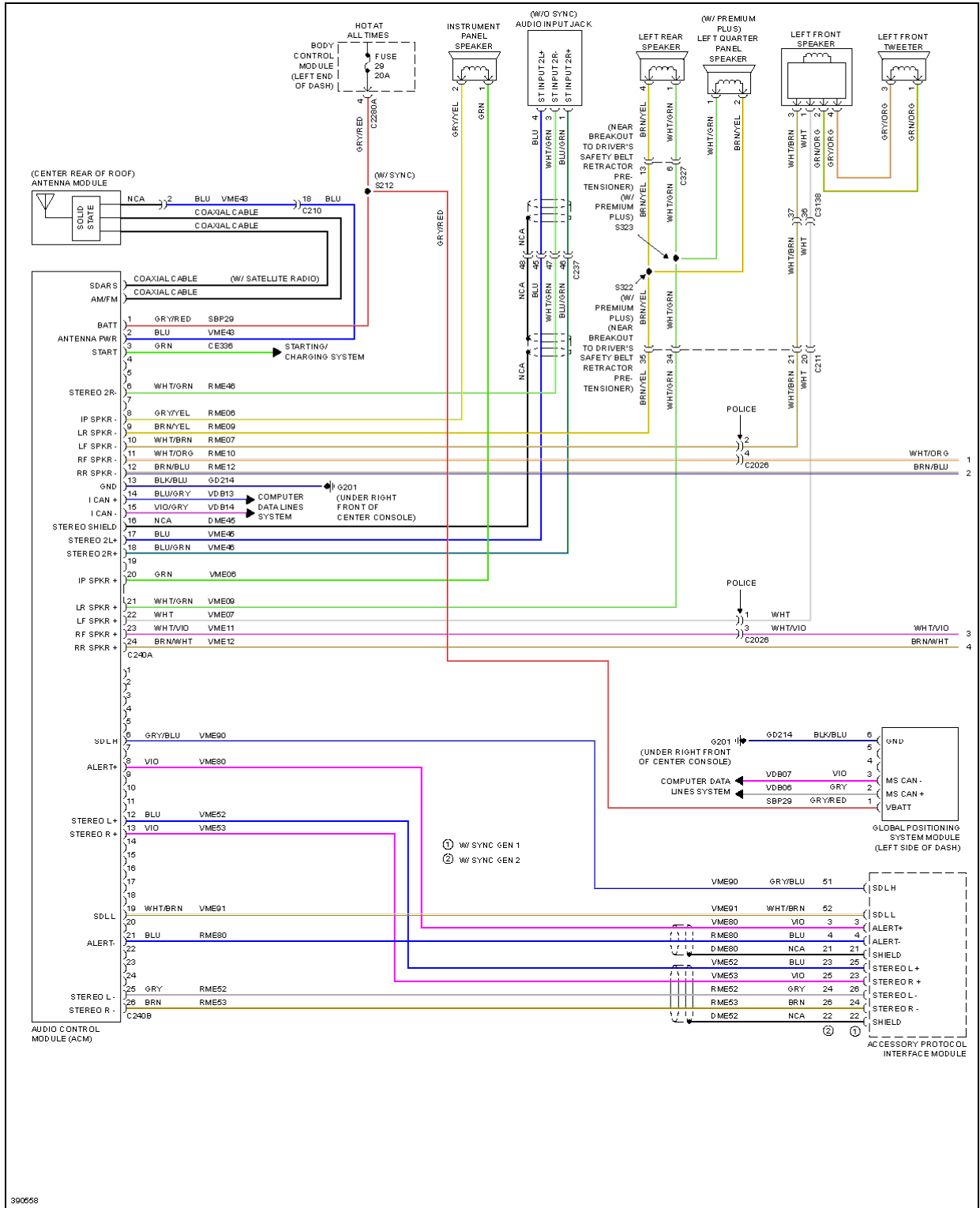


390561

2013 Ford Explorer Limited

SYSTEM WIRING DIAGRAMS

Fig. 73: Navigation Circuit, W/O Sony (1 of 2)

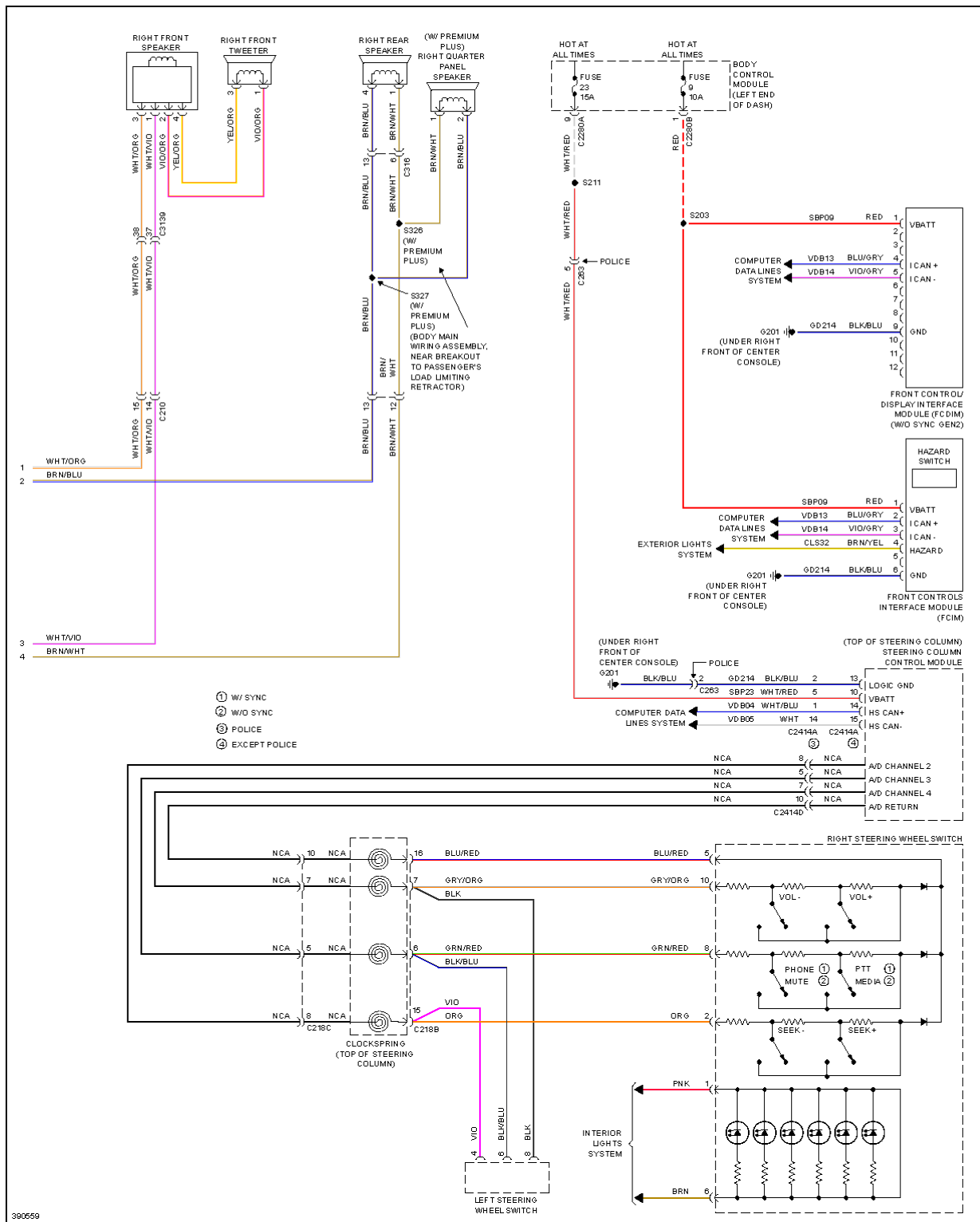


390658

2013 Ford Explorer Limited

SYSTEM WIRING DIAGRAMS

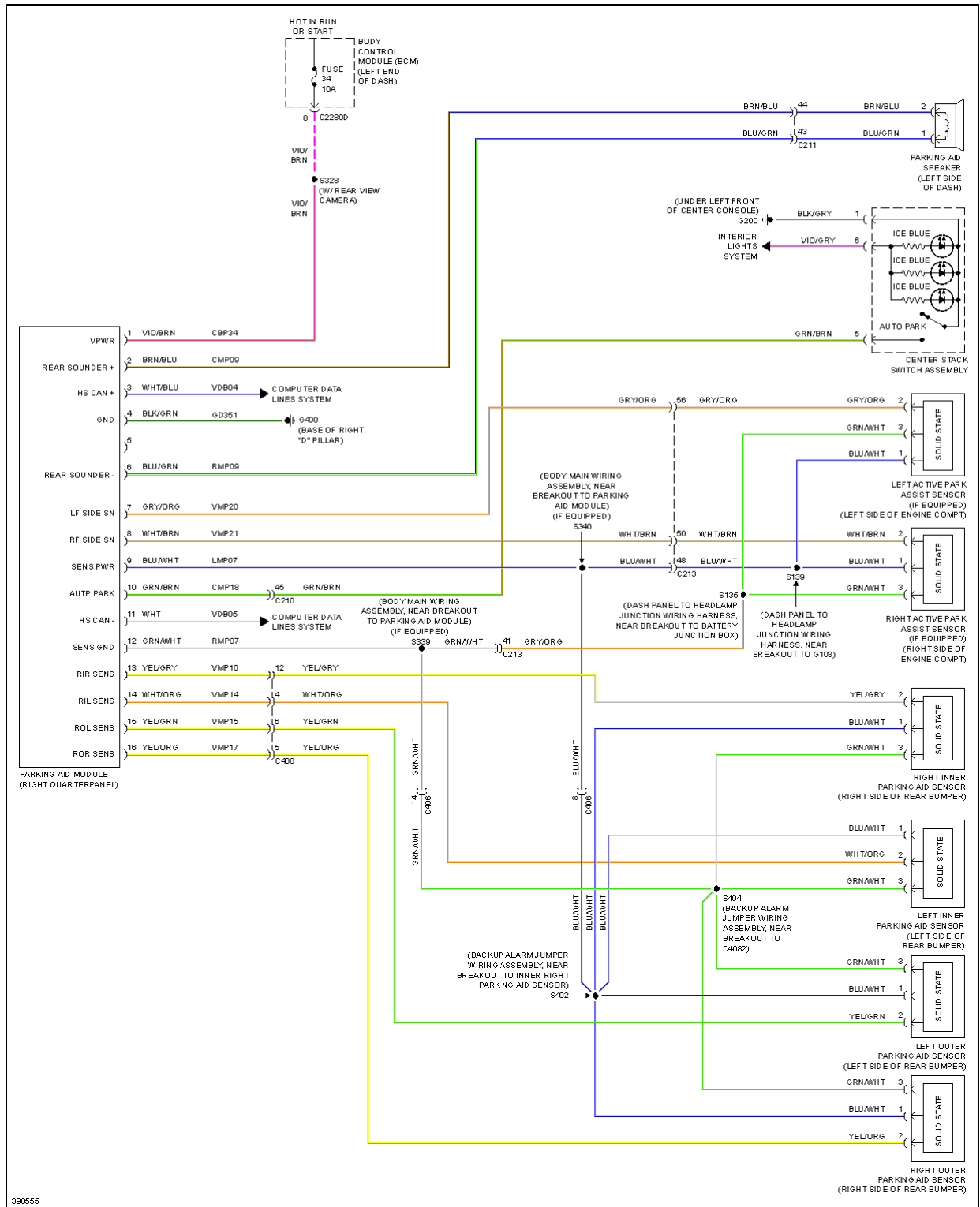
Fig. 74: Navigation Circuit, W/O Sony (2 of 2)



2013 Ford Explorer Limited

SYSTEM WIRING DIAGRAMS

Fig. 75: Parking Assistant Circuit

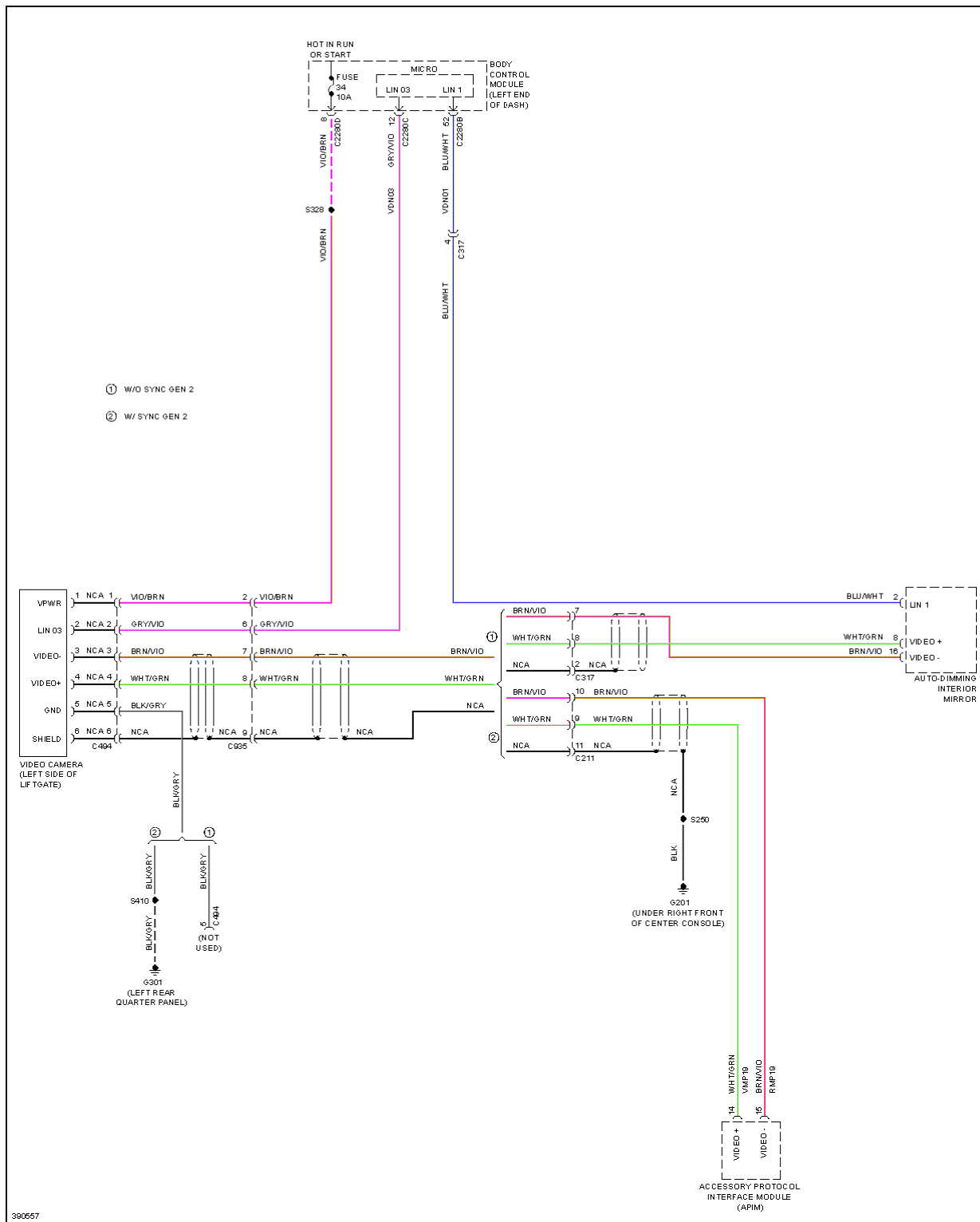


390555

2013 Ford Explorer Limited

SYSTEM WIRING DIAGRAMS

Fig. 76: Rear Camera Circuit



390557