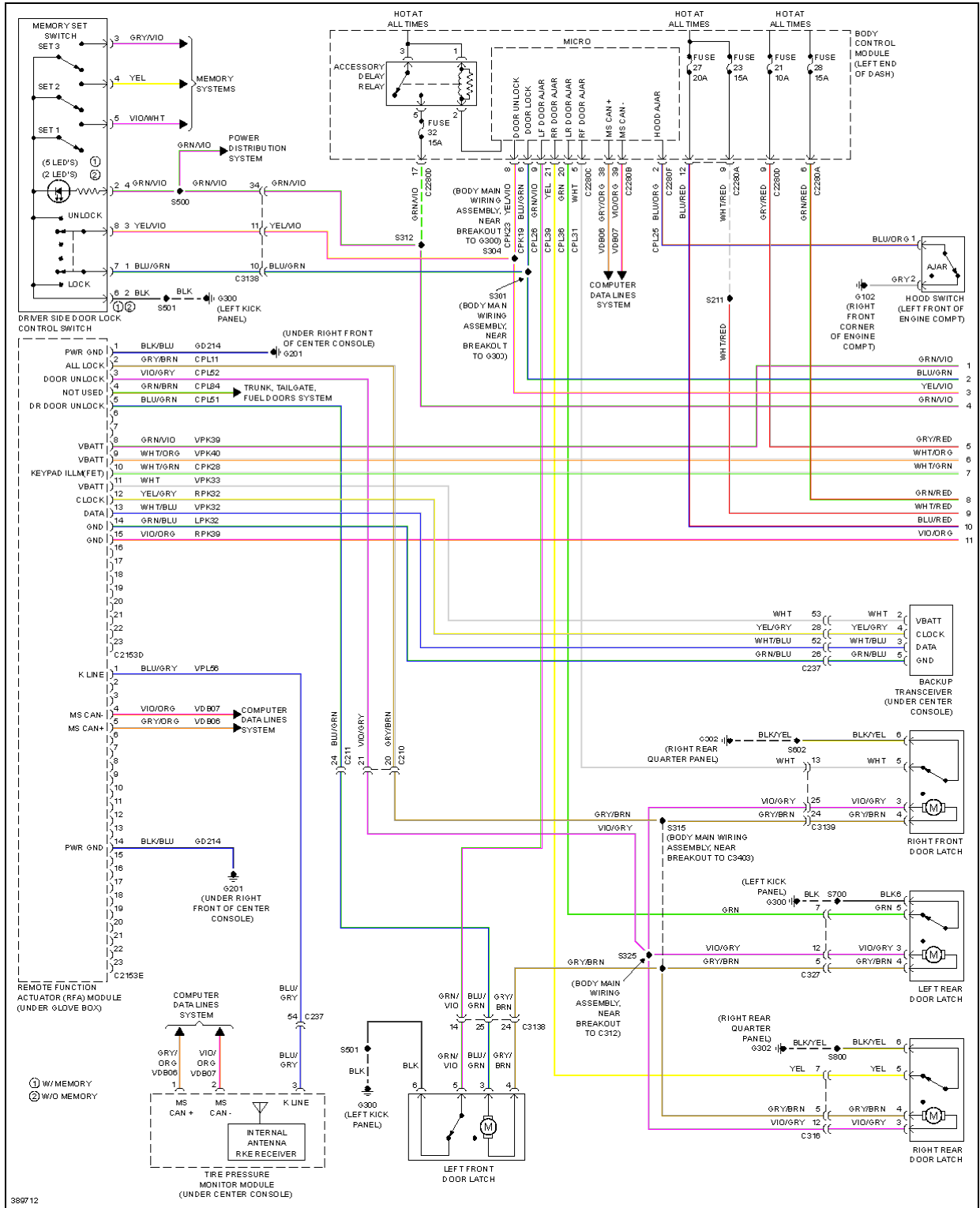


2013 Ford Explorer Limited

SYSTEM WIRING DIAGRAMS

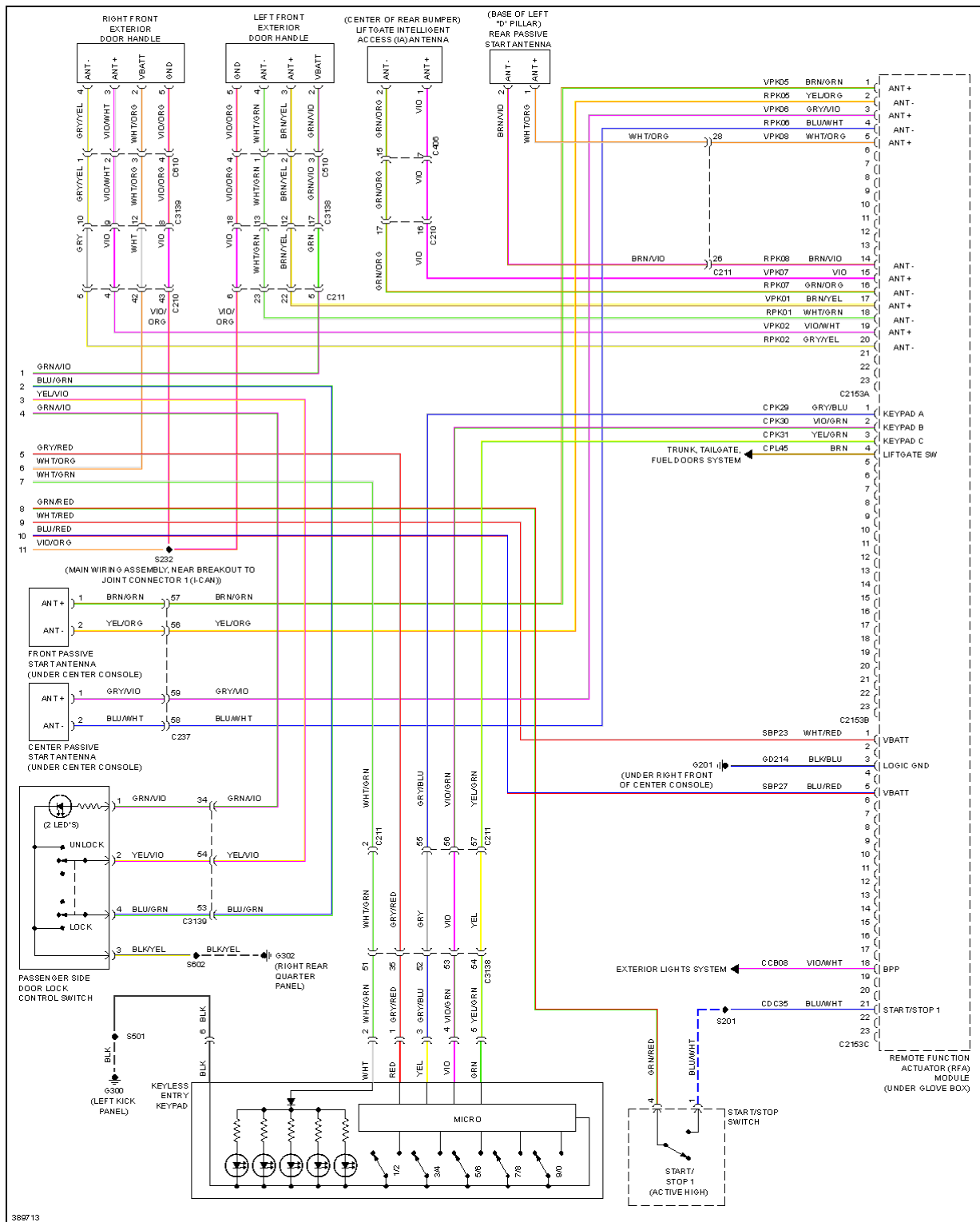
Fig. 11: Forced Entry Circuit, W/ Intelligent Access (1 of 2)



2013 Ford Explorer Limited

SYSTEM WIRING DIAGRAMS

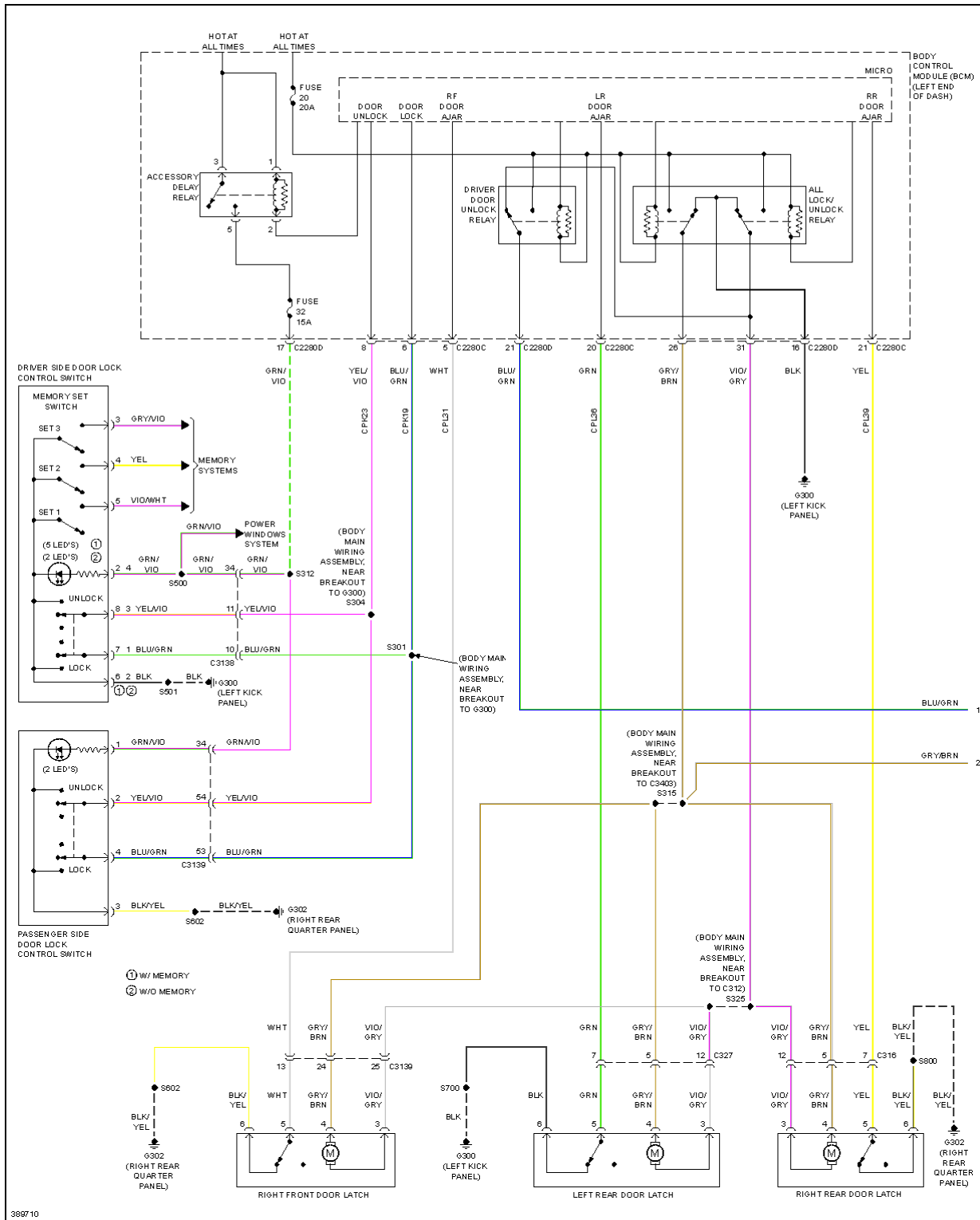
Fig. 12: Forced Entry Circuit, W/ Intelligent Access (2 of 2)



2013 Ford Explorer Limited

SYSTEM WIRING DIAGRAMS

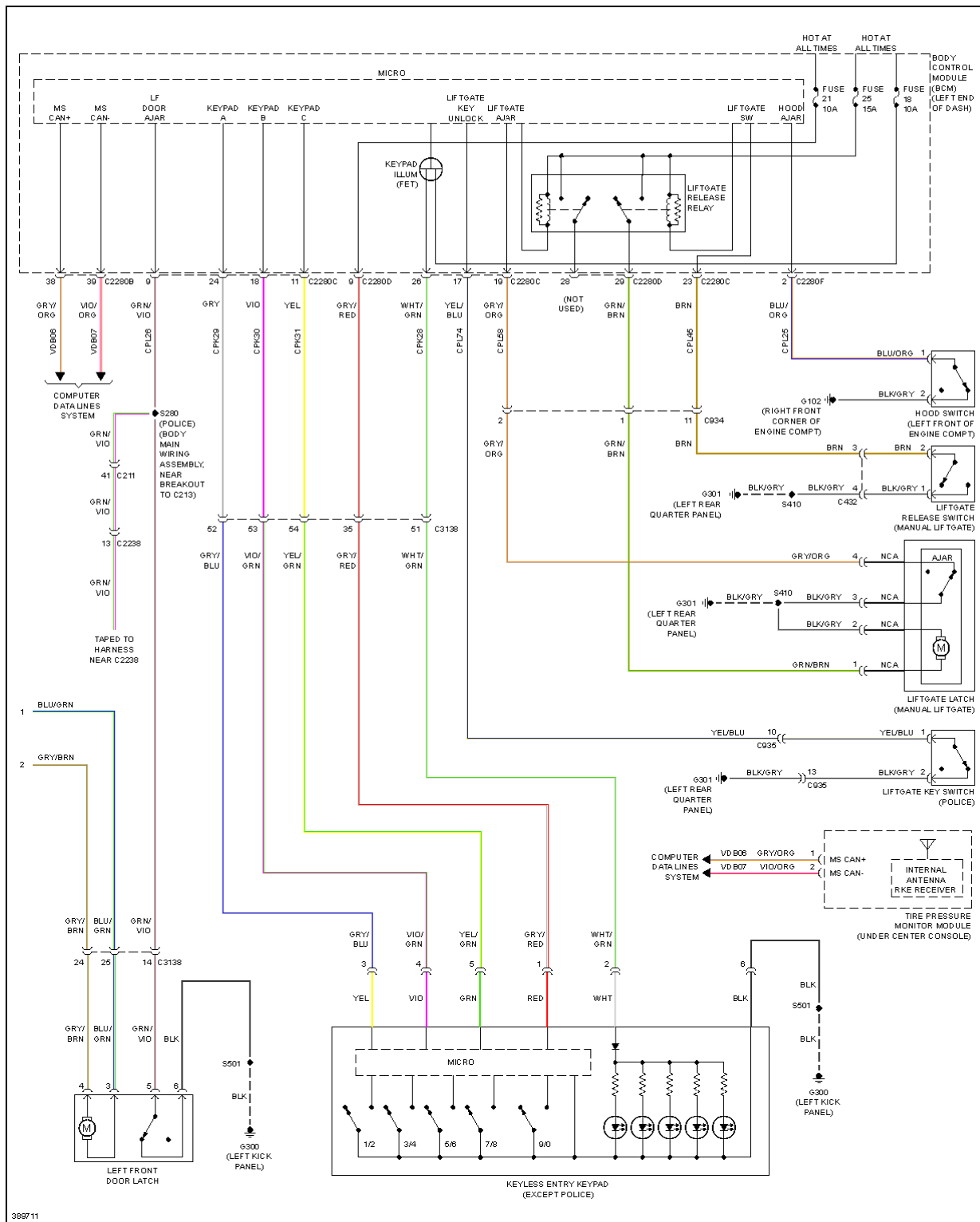
Fig. 13: Forced Entry Circuit, W/O Intelligent Access (1 of 2)



2013 Ford Explorer Limited

SYSTEM WIRING DIAGRAMS

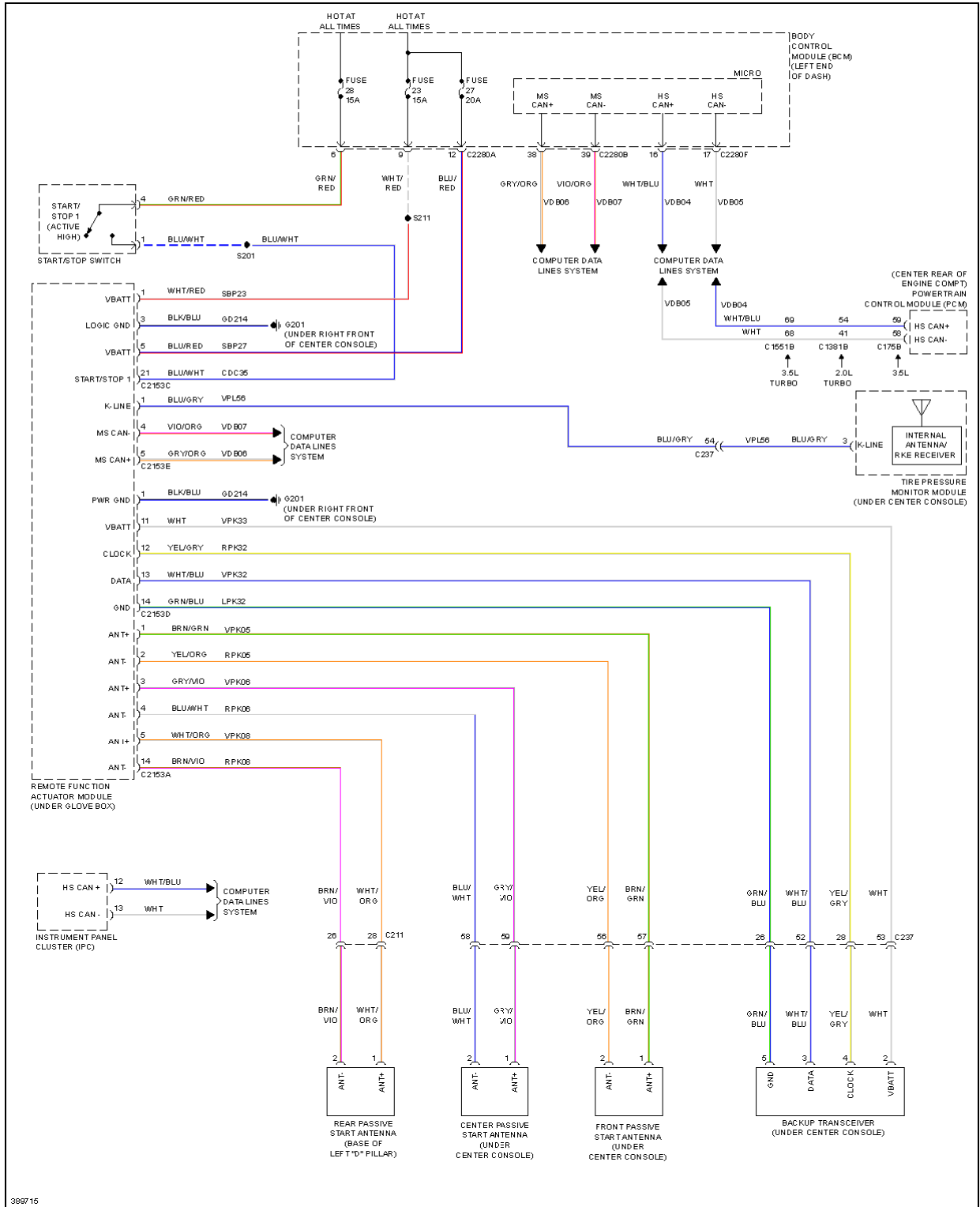
Fig. 14: Forced Entry Circuit, W/O Intelligent Access (2 of 2)



2013 Ford Explorer Limited

SYSTEM WIRING DIAGRAMS

Fig. 15: Passive Anti-theft Circuit, W/ Intelligent Access



389715

2013 Ford Explorer Limited

SYSTEM WIRING DIAGRAMS

Fig. 16: Passive Anti-theft Circuit, W/O Intelligent Access

